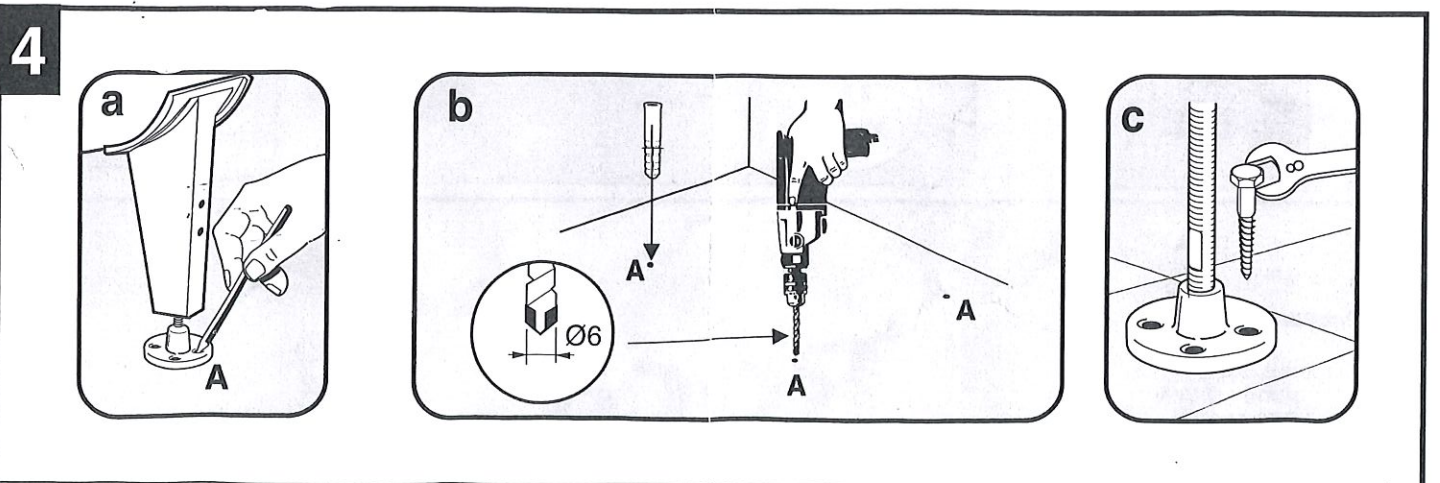
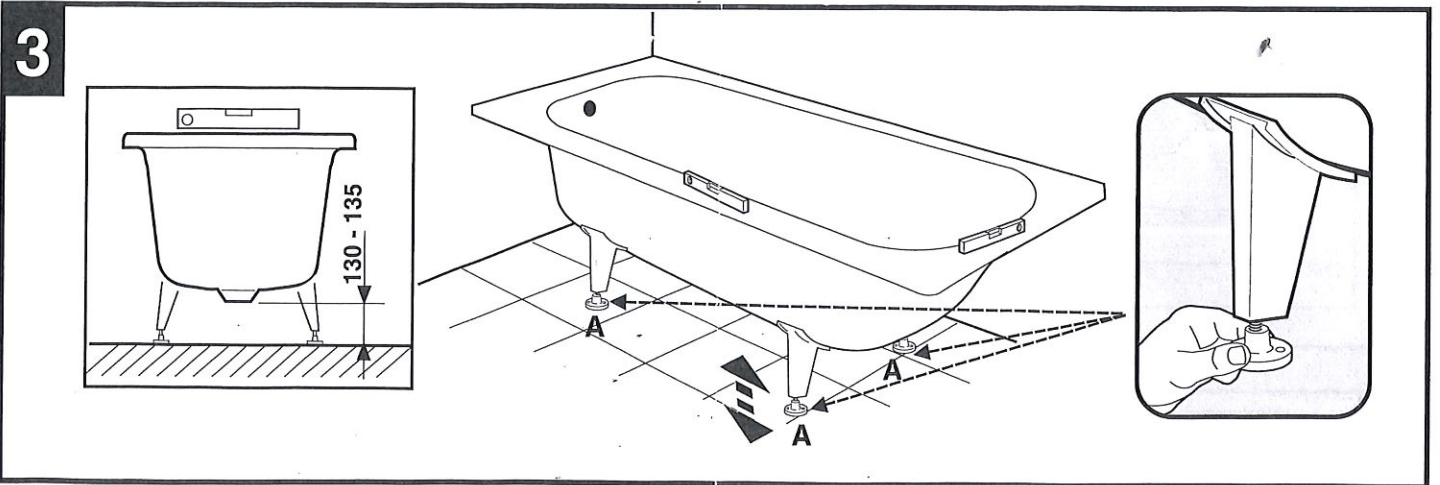
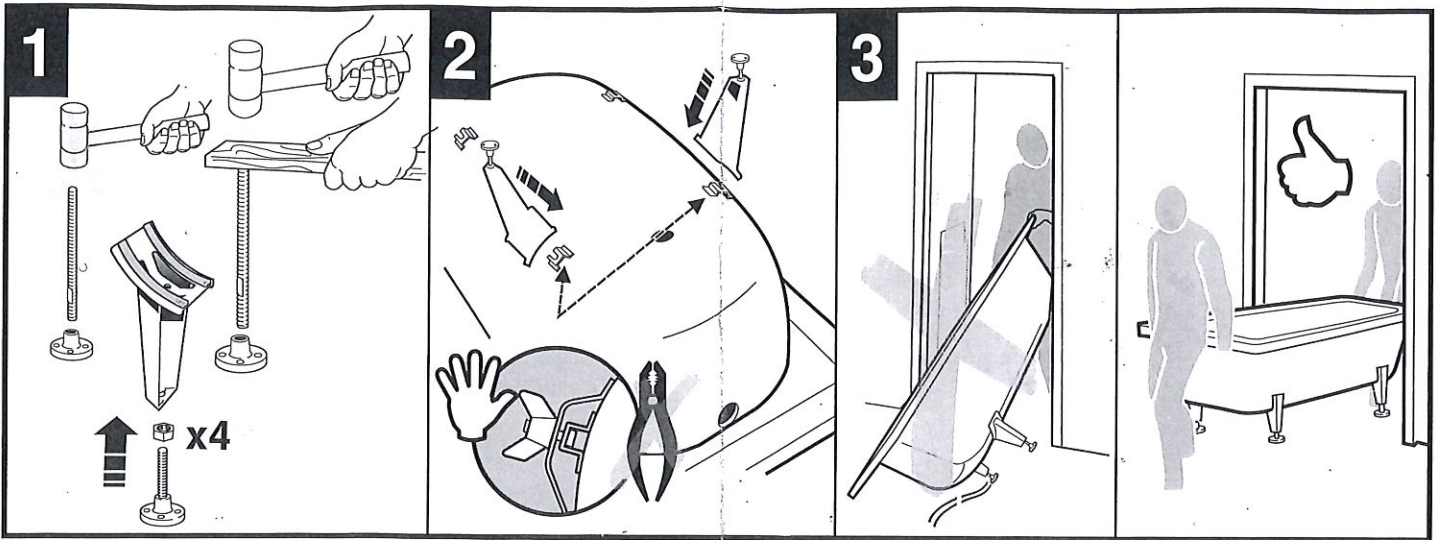




Roca

2-91028000



2-91021000

1

2

L	1800	1700	1600	1500	1400	1200	1000
A	---	820	720	620	550	375	310
B	360	---	---	---	---	---	---

3

4

5

6

7

a

b

c

Roca Sanitario, S.A.

Avda. Diagonal, 513
 08029 Barcelona - SPAIN
 Teléfono 93 366 1200
 Fax 93 419 4501
 www.roca.es

Roca